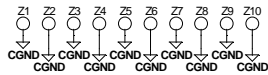
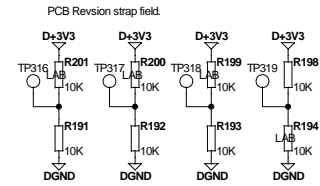
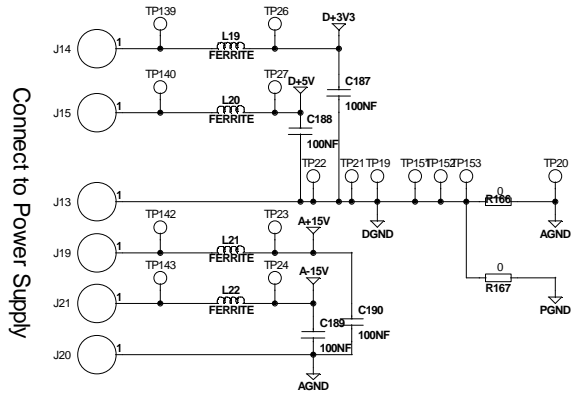
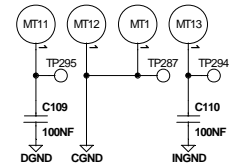
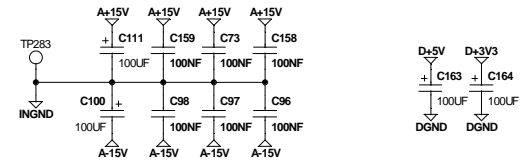
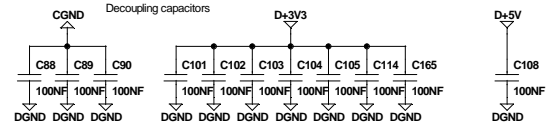
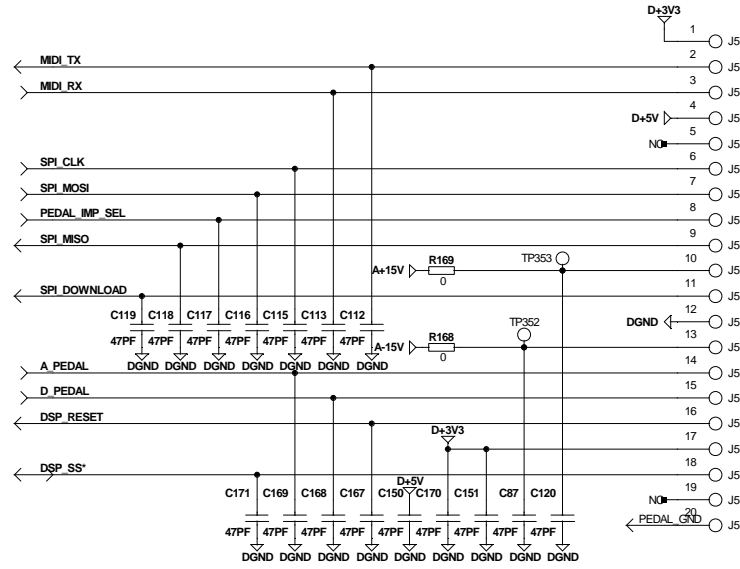


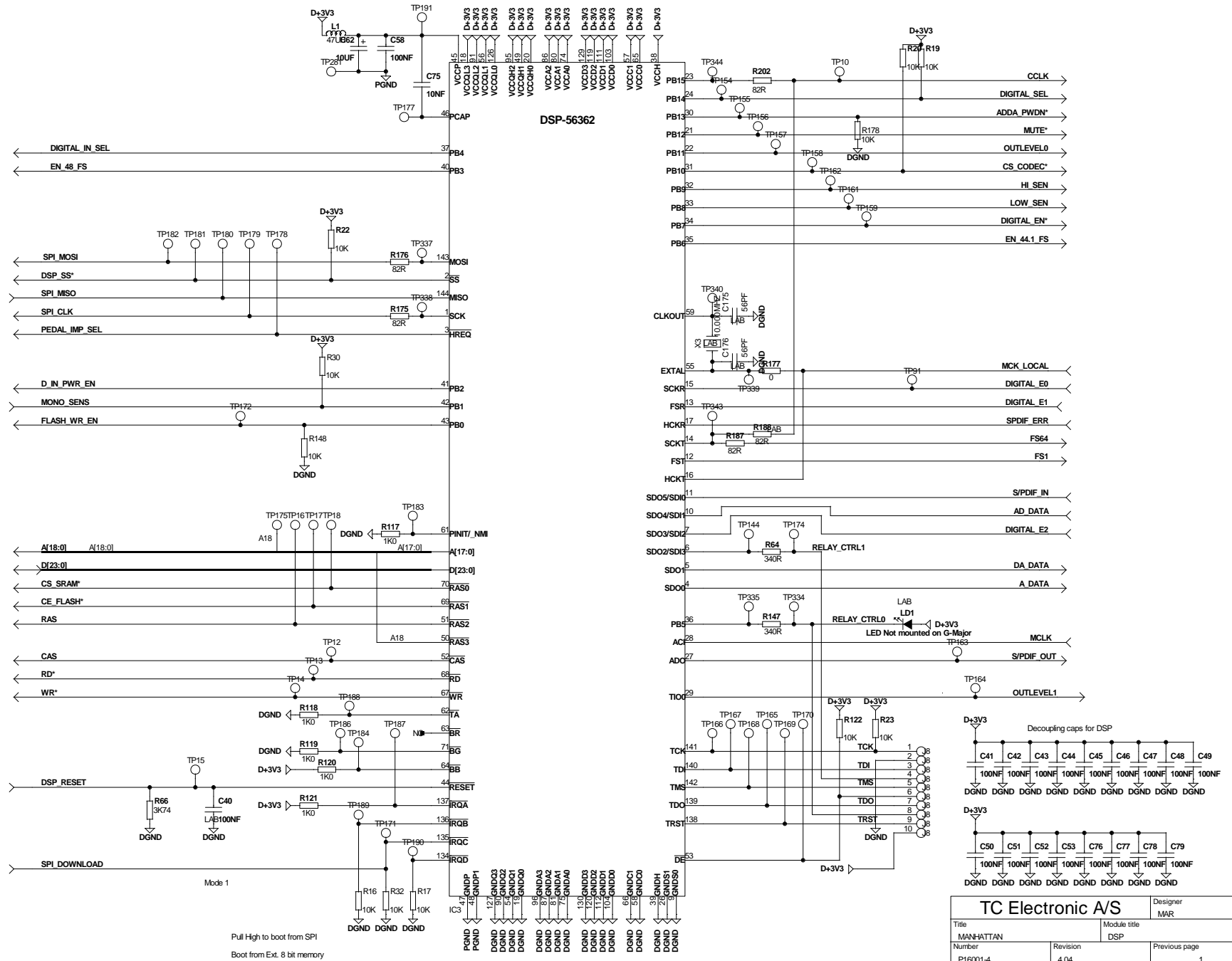
Manhattan Mainboard PCB
M10

TC Electronic A/S		Designer
Title	MANHATTAN	MAR
Module title	BLOCK LEVEL SCHEMATIC	
Number	Revision	Previous page
P16001-4	4.04	XX
Date	Filename	Page / of
5-22-2000 15:33	MAINBOARD	1 / 13

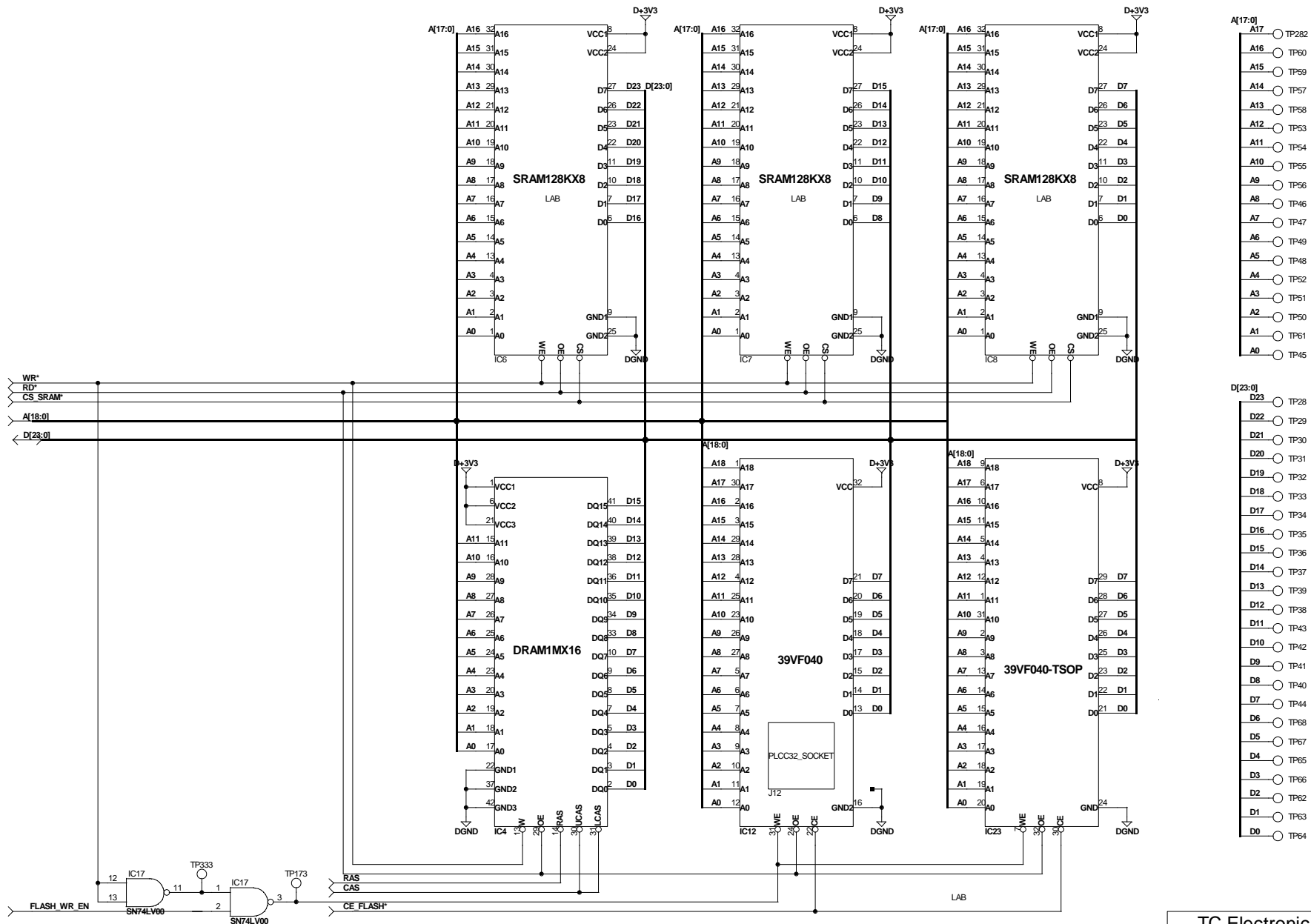
Connect to Front



TC Electronic A/S		Designer MAR
Title MANHATTAN		Module title INTERFACE TO FRONT AND POWER
Number P16001-4	Revision 4.04	Previous page 1
Date 5-22-2000 15:19	Filename INTERFACE	Page / of 2 / 13



TC Electronic A/S		Designer
Title	MANHATTAN	MAR
Number	P16001-4	Module title DSP
Date	5-5-2000, 11:07	Revision 4.04
		Previous page 1
		Page / of 3 / 13

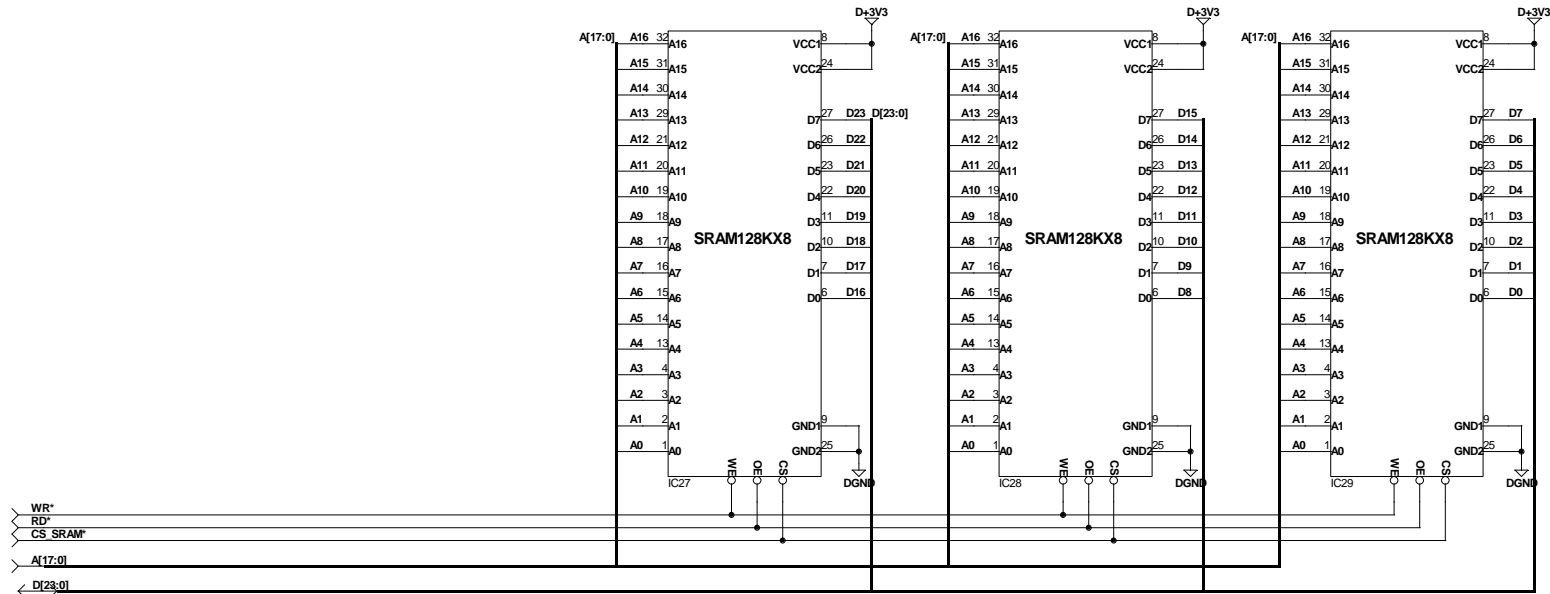


- A[17:0] A17 ○ TP282
- A16 ○ TP60
- A15 ○ TP59
- A14 ○ TP57
- A13 ○ TP58
- A12 ○ TP53
- A11 ○ TP54
- A10 ○ TP55
- A9 ○ TP56
- A8 ○ TP46
- A7 ○ TP47
- A6 ○ TP49
- A5 ○ TP48
- A4 ○ TP52
- A3 ○ TP51
- A2 ○ TP50
- A1 ○ TP61
- A0 ○ TP45

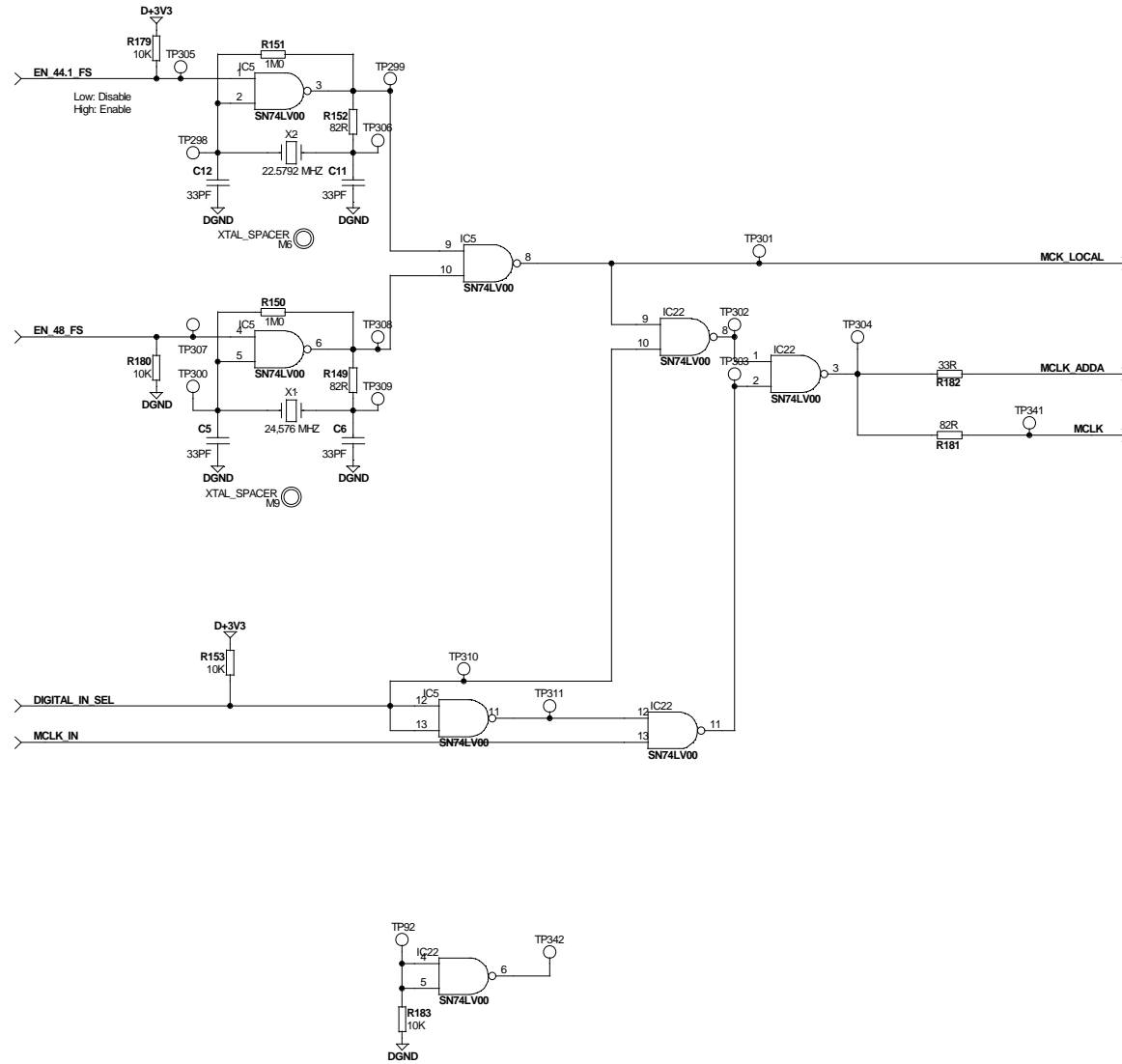
- D[23:0] D23 ○ TP28
- D22 ○ TP29
- D21 ○ TP30
- D20 ○ TP31
- D19 ○ TP32
- D18 ○ TP33
- D17 ○ TP34
- D16 ○ TP35
- D15 ○ TP36
- D14 ○ TP37
- D13 ○ TP39
- D12 ○ TP38
- D11 ○ TP43
- D10 ○ TP42
- D9 ○ TP41
- D8 ○ TP40
- D7 ○ TP44
- D6 ○ TP68
- D5 ○ TP67
- D4 ○ TP65
- D3 ○ TP66
- D2 ○ TP62
- D1 ○ TP63
- D0 ○ TP64

Note: Only one of the Flash types are mounted

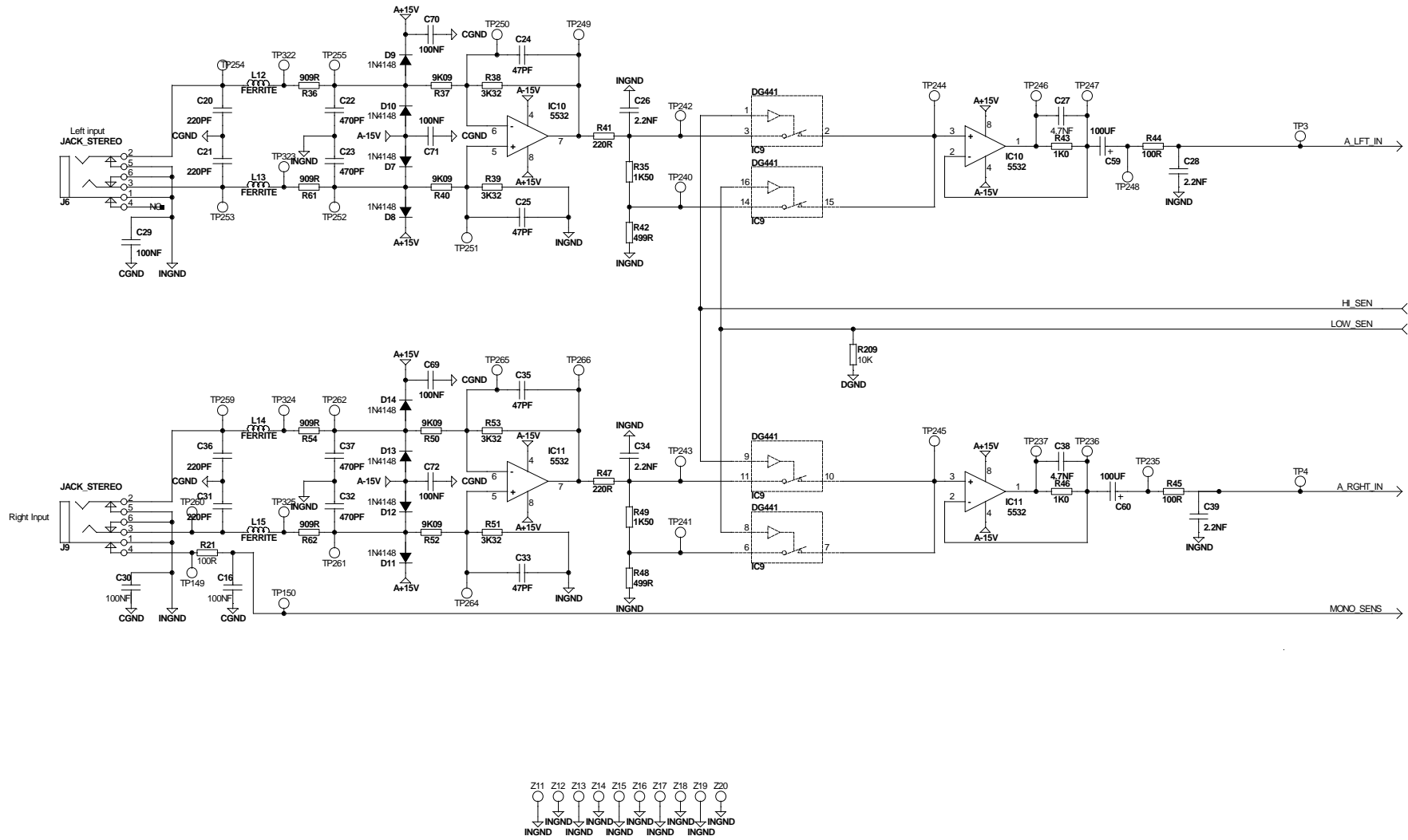
TC Electronic A/S		Designer
Title	MANHATTAN	MAR
Number	P16001-4	Module title
Date	6-23-2000 10:04	MEMORY
Revision	4.04	Previous page
Filename	MEM	1
Page / of	4 / 13	



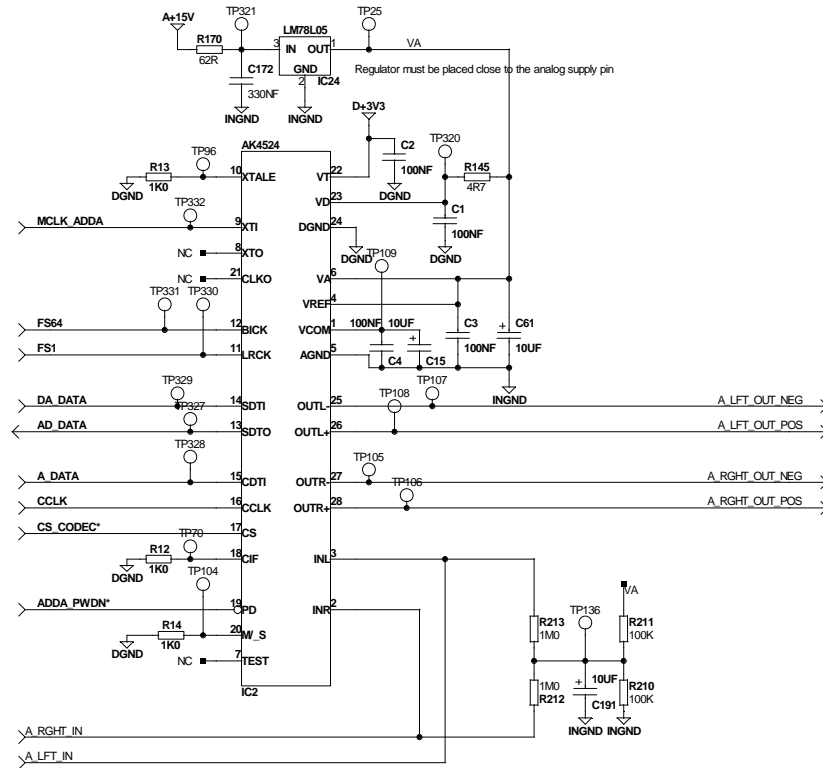
TC Electronic A/S		Designer MAR
Title MANHATTAN		Module title MEMORY - ALT PACKAGE
Number P16001-4	Revision 4.04	Previous page 1
Date 7-25-2000 8:32	Filename MEM	Page / of 5 / 13



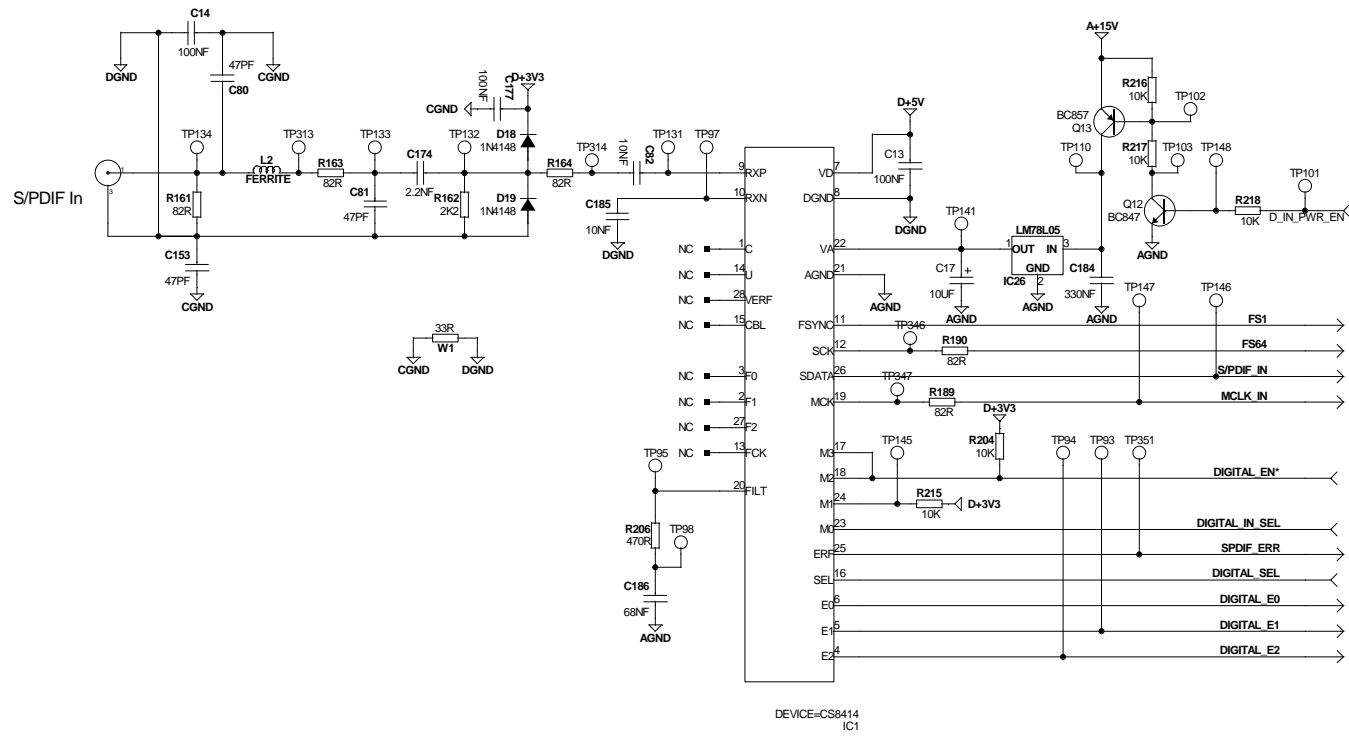
TC Electronic A/S		Designer
Title	MANHATTAN	MAR
Number	P16001-4	Module title
Date	5-5-2000, 11:35	CLOCK
Revision	4.04	Previous page
Filename	CLOCK	1
		Page / of
		6 / 13



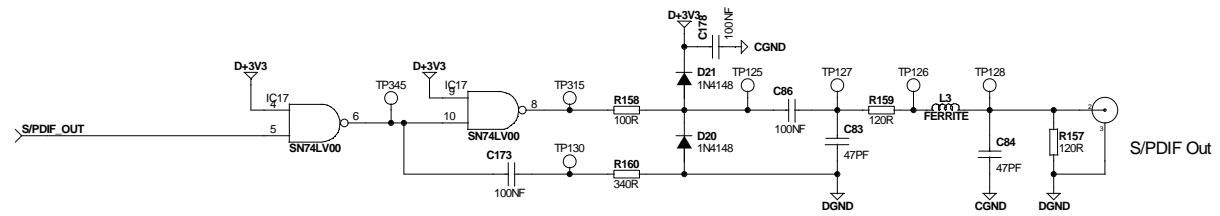
TC Electronic A/S		Designer MAR
Title MANHATTAN		Module title ANALOG INPUT
Number P16001-4	Revision 4.04	Previous page 1
Date 7-25-2000 8:33	Filename ANALOG_IN	Page / of 7 / 13



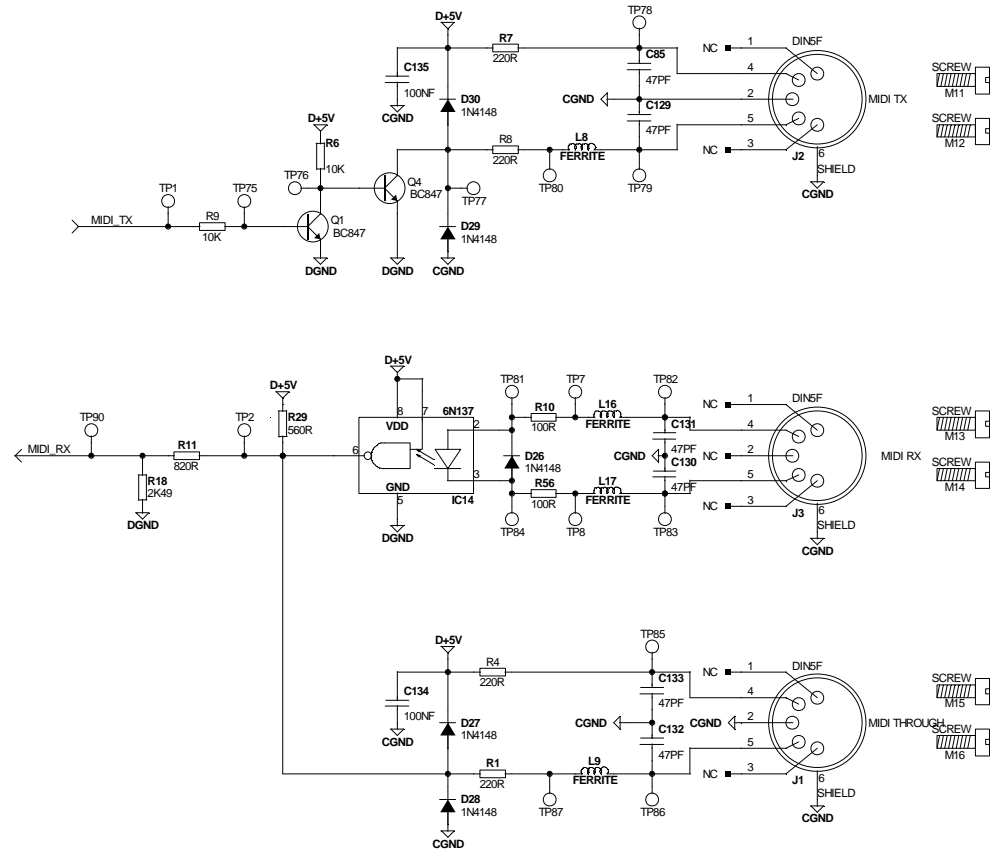
TC Electronic A/S		Designer MAR
Title MANHATTAN	Module title CODEC	
Number P16001-4	Revision 4.04	Previous page 1
Date 9-15-1999 15:57	Filename CODEC	Page / of 8 / 13



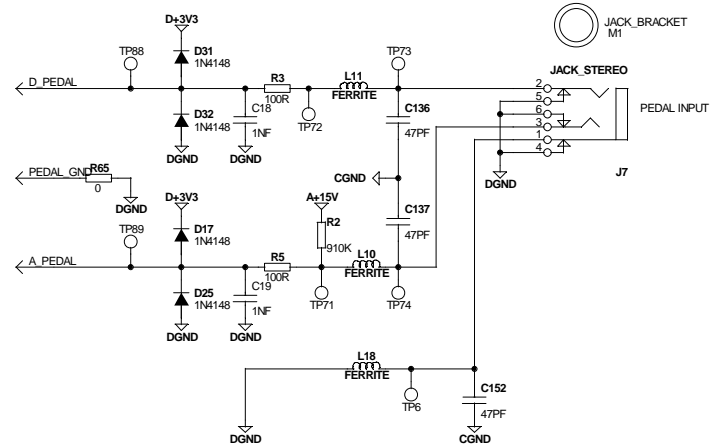
TC Electronic A/S		Designer
Title	MANHATTAN	MAR
Module title	DIGITAL INPUT	
Number	Revision	Previous page
P16001-4	4.04	1
Date	Filename	Page / of
12-8-2000 9:22	DIGITAL_IN	10 / 13



TC Electronic A/S		Designer MAR
Title MANHATTAN		Module title DIGITAL_OUTPUT
Number P16001-4	Revision 4.04	Previous page 1
Date 9-16-1999 10:15	Filename DIGITAL_OUT	Page / of 11 / 13



TC Electronic A/S		Designer MAR
Title MANHATTAN		Module title MIDI INTERFACE
Number P16001-4	Revision 4.04	Previous page 1
Date 5-5-2000, 11:26	Filename MIDI	Page / of 12 / 13



TC Electronic A/S		Designer MAR
Title MANHATTAN		Module title PEDAL INTERFACE
Number P16001-4	Revision 4.04	Previous page 1
Date 8-17-2000 15:32	Filename PEDAL	Page / of 13 / 13